

Model P213 Piston Flow Meter (Frequency)

0.5 cc/min to 1800 cc/min

SPECIFICATIONS

Flow Range	0.5 cc/min to 1800 cc/min
Accuracy (at 3 cP)	± 0.2% of reading over a 200:1 range
Maximum Operating Pressure	210 bar (3000 psi)
Displacement	0.89 cc/rev
Weight	1.0 kg
Recommended Filtration	10 micron
Port Size(s)	1/8" NPT, #4 SAE or manifold mount
Fluids	Most non-aqueous, hydrocarbon based fluids

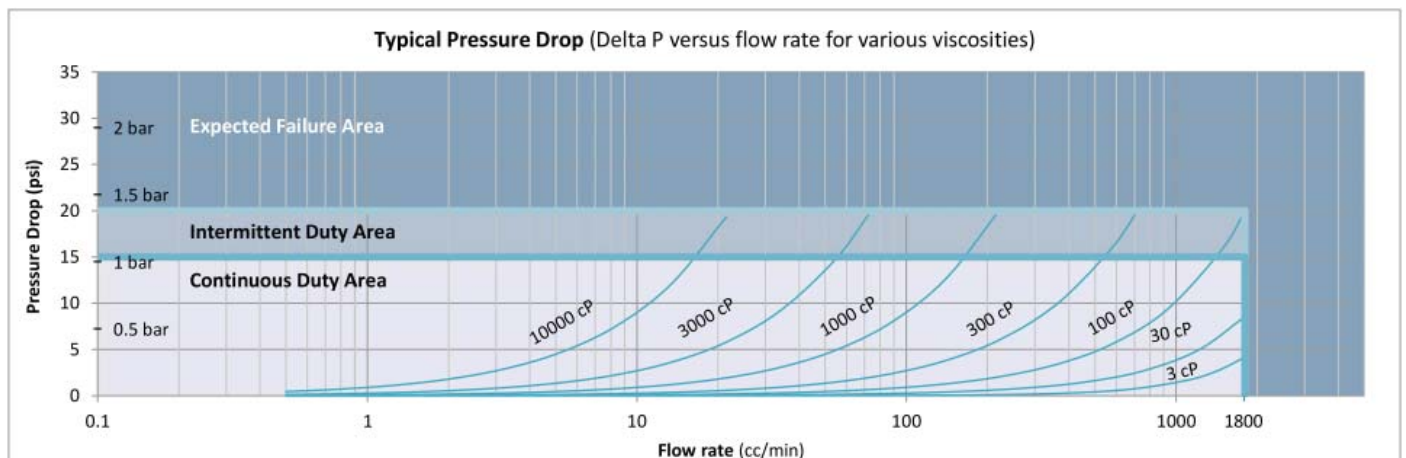


MATERIALS OF CONSTRUCTION

Body	Stainless steel, type 303
Pistons	Nitride hardened stainless steel, type 303
Crankshaft	Stainless steel
Bearings	All ball bearings, 440C stainless steel
O Rings	Viton®- standard • Teflon®, Perfluoroelastomer - optional

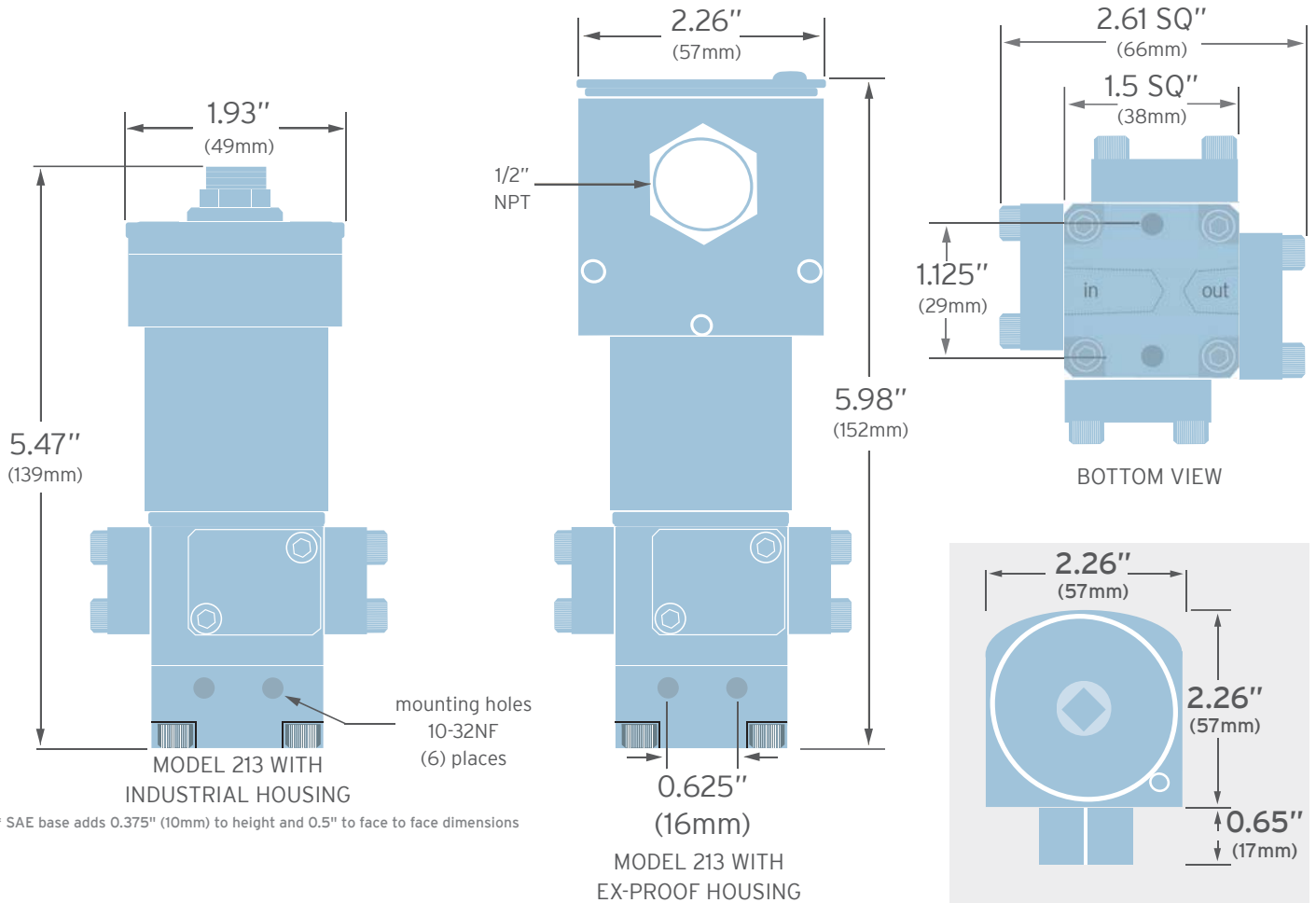
FREQUENCY TRANSMITTER

Output Signal	5 Vdc square wave – Current Sinking, 20mA max.- optional
Output Resolution	Selectable: 1 - 1000 pulses/rev
Optional	Quadrature square wave, 1 - 500 pulses/revolution/channel
Power Supply Requirements	5-26 Vdc @ 30ma
Ambient Operational Range	-40°C to 80°C, Single piece – Two piece to 110°C
Metered Liquid Temp Range (based on 20° ambient)	-40°C to 90°C, Standard model -40°C to 225°C, Two piece high temperature model
Compliance	CE Certified, Ex-proof version available with ATEX/IECEX II 2 G Ex db IIB Tx Gb as well as UL, cUL certification for Class 1, Division 1, Groups C and D, Tx



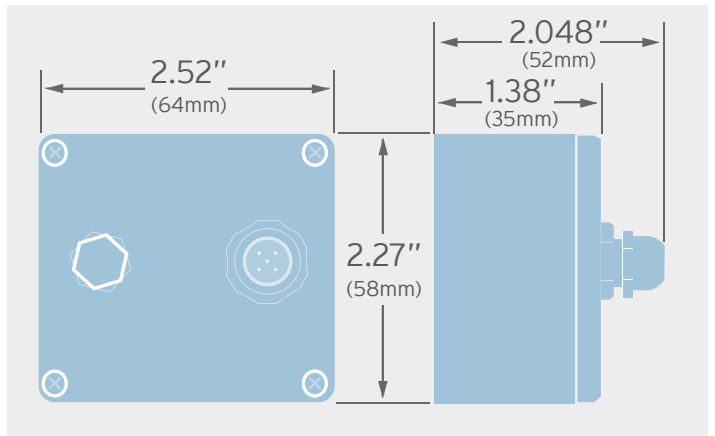
Model P213 Flow Meter (Frequency)

CONNECTIVITY/DIMENSIONS (Not to scale)



ELECTRICAL CONNECTION – FREQUENCY TRANSMITTERS

	Turck® Connector		
	PCA Label	Pin #	Mating Cable Wire Color
Power (+5 to 26 Vdc)	V+	1	Brown
Common	Com	4	Black
Pulse Output	Ph A	2	White
Output Phase B (Quad only)	Ph B	5	Grey
Case Ground	Case	3	Blue



REMOTE PCA ENCLOSURE FOR HIGH TEMPERATURE TRANSMITTERS
(2 meter interconnect cable, not shown)



