

Model P002 Piston Flow Meter (Frequency) 0.5 cc/min to 2000 cc/min

SPECIFICATIONS

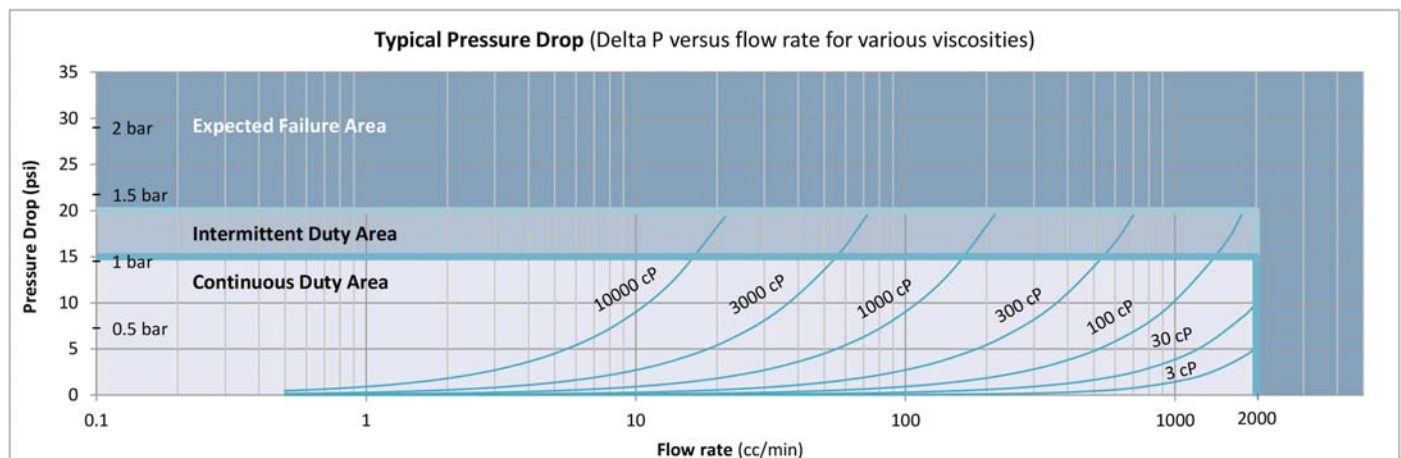
Flow Range	0.5 cc/min to 2000 cc/min
Accuracy (at 3 cP)	± 0.2% of reading over a 200:1 range
Maximum Operating Pressure	500 bar (7250 psi)
Displacement	1 cc/rev
Weight	1.9 kg
Recommended Filtration	10 micron
Port Size(s)	#4 SAE
Fluids	Most non-aqueous, hydrocarbon based fluids

MATERIALS OF CONSTRUCTION

Body	Stainless steel, type 303
Pistons	Stainless steel, type 17-4
Bearings	All ball bearings, 440C stainless steel
Seals	Viton®- standard, Perfluoroelastomer - optional

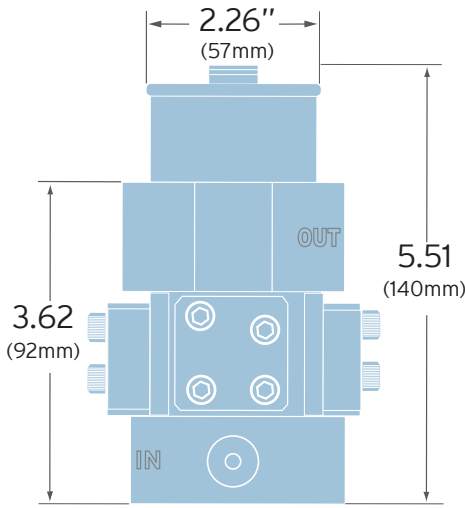
FREQUENCY TRANSMITTER

Output Signal	5 Vdc square wave – Current Sinking, 20mA max.- optional
Output Resolution	Selectable: 1 - 1000 pulses/rev
Optional	Quadrature square wave, 1 - 500 pulses/revolution/channel
Power Supply Requirements	5-26 Vdc @ 30ma
Ambient Operational Range	-40°C to 80°C, Single piece – Two piece to 110°C
Metered Liquid Temp Range (based on 20° ambient)	-40°C to 90°C, Standard model -40°C to 155°C, Two piece high temperature model -40°C to 225°C, Two piece, ultra high temperature model
Compliance	CE Certified, Ex-proof version available with ATEX/IECEX II 2 G Ex db IIB Tx Gb as well as UL, cUL certification for Class 1, Division 1, Groups C and D, Tx

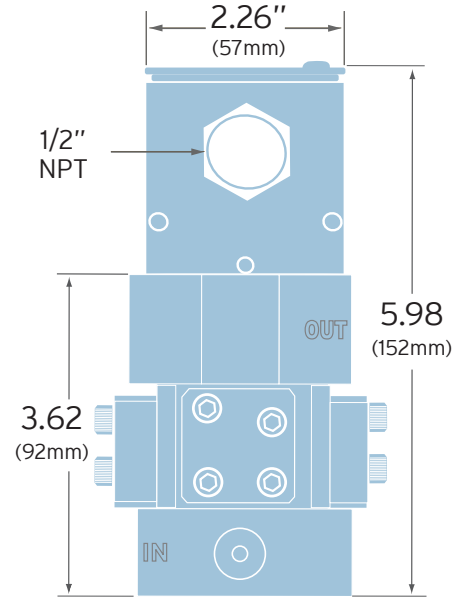


Model P002 Flow Meter (Frequency)

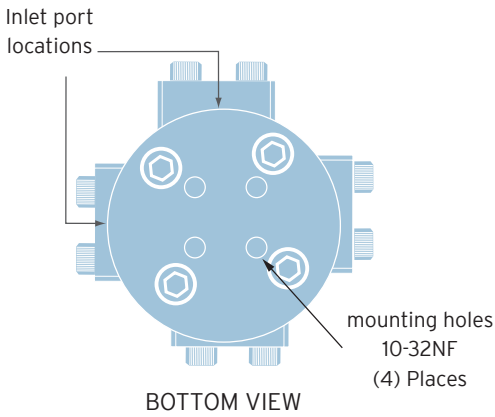
CONNECTIVITY/DIMENSIONS (Not to scale)



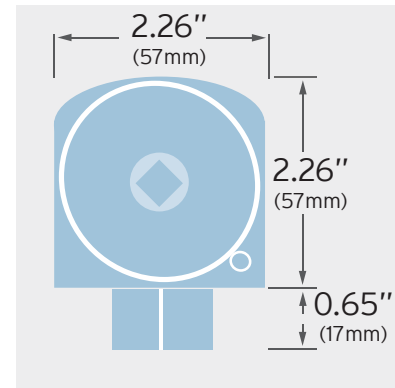
MODEL P002 WITH INDUSTRIAL HOUSING TRANSMITTER



MODEL P002 WITH EX-PROOF HOUSING TRANSMITTER



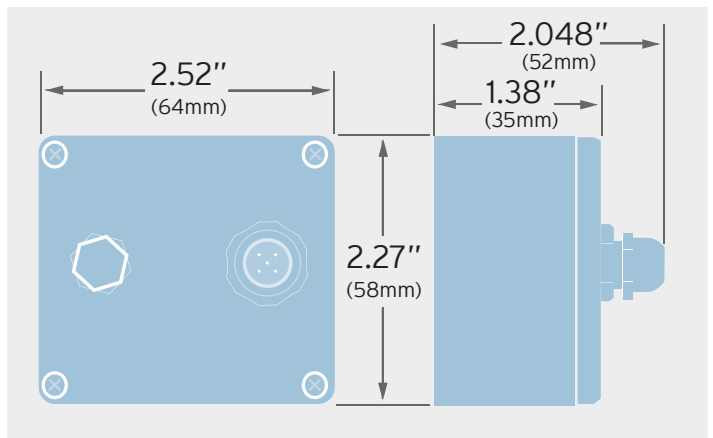
BOTTOM VIEW



EX-PROOF HOUSING TOP VIEW

ELECTRICAL CONNECTION – FREQUENCY TRANSMITTERS

	Turck® Connector		
	PCA Label	Pin #	Mating Cable Wire Color
Power (+5 to 26 Vdc)	V+	1	Brown
Common	Com	4	Black
Pulse Output	Ph A	2	White
Output Phase B (Quad only)	Ph B	5	Grey
Case Ground	Case	3	Blue



REMOTE PCA ENCLOSURE FOR HIGH TEMPERATURE TRANSMITTERS
(2 meter interconnect cable, not shown)

Positive Displacement Flow Meters

Piston Type, 7250 psi (500 bar) rated

Flow Meter Selections

Model # HS /

Max flow range

0.2 Liters/min P001
2 Liters/min P002

3
2

Pressure

7250 psi (500 bar) HS

Fluid Connection

SAE 2
1/4" and 6mm Tube 3

Seal Selection

Viton® - FKM 1
Perfluoroelastomer - FFKM 5

Options

None NA

Transmitter Selections

1 - Non-standard options

Bi-directional cal BID

1 Transmitter Type

Output Type

A	A	4-20mA output - powered by 24Vdc
A	B	4-20mA output - powered by 12Vdc
A	C	0-10Volt output - powered by 24Vdc
A	D	0-10Volt output - powered by 12Vdc
P	N	5V Pulse/Quad - powered by 5-26Vdc
Q	N	5V Quadrature - powered by 5-26Vdc
P	S	Current Sinking, single phase

Temperature rating

1 90°C
2 130°C Ex-Proof / 155°C Industrial **
3 225° C - 2 part Industrial †

Electrical Connection

1 Turck® connector
2 Hazardous location *

Signal Type

P Pulse
A Analog
Q Quadrature

Calibration

Price includes unidirectional calibration

* See temp chart

** Receiver portion of 2 part transmitters are not rated Ex-Proof, consult factory

† Not available for hazardous location use. (Exceeds 130°C temp. limit.)