



Model P001LA Piston Flow Meter (Analog) 0.005 to 200 cc/min

SPECIFICATIONS

Flow Range	0.005 to 200 cc/min
Accuracy (3 cP)	± 0.2% of reading over a 200:1 range
Maximum Operating Pressure	250 psi (17 bar)
Weight	0.4 kg
Recommended Filtration	5 micron
Port Size(s)	1/4" or 6mm tube fitting
Fluids	Most non-aqueous, hydrocarbon based fluids

MATERIALS OF CONSTRUCTION

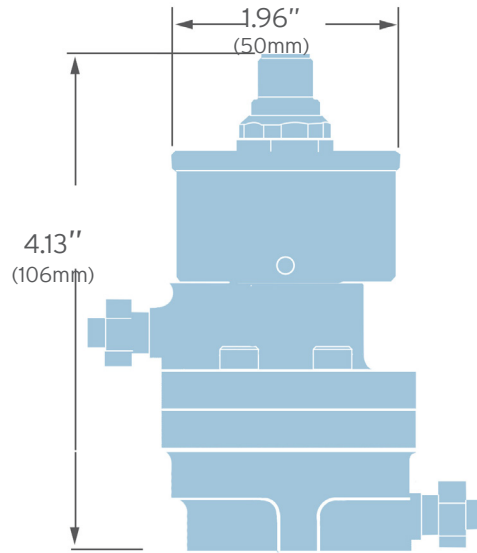
External	Hard anodized aluminum type 6061
Wetted	Hard anodized aluminum type 6061; Stainless steel, type 316, 440C, 17-4; Silicon Nitride; Nickel based carbide
O-Rings	Standard: Viton® Optional: Perfluoroelastmer



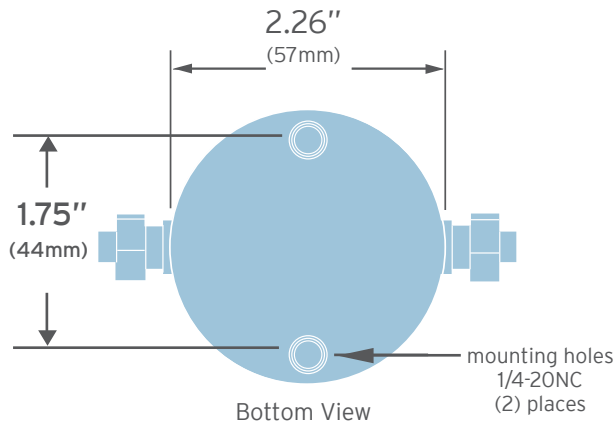
ANALOG TRANSMITTER

Output Signal	Any range of ± 10V or ± 20mA Linearized and damped with anti-dither protection
Power Supply Requirements	12Vdc @ 90 mA, 24Vdc @ 45 mA
Ambient Operational Range	-40°C to 80°C
Metered Liquid Temp Range (based on 20° ambient)	-40°C to 90°C





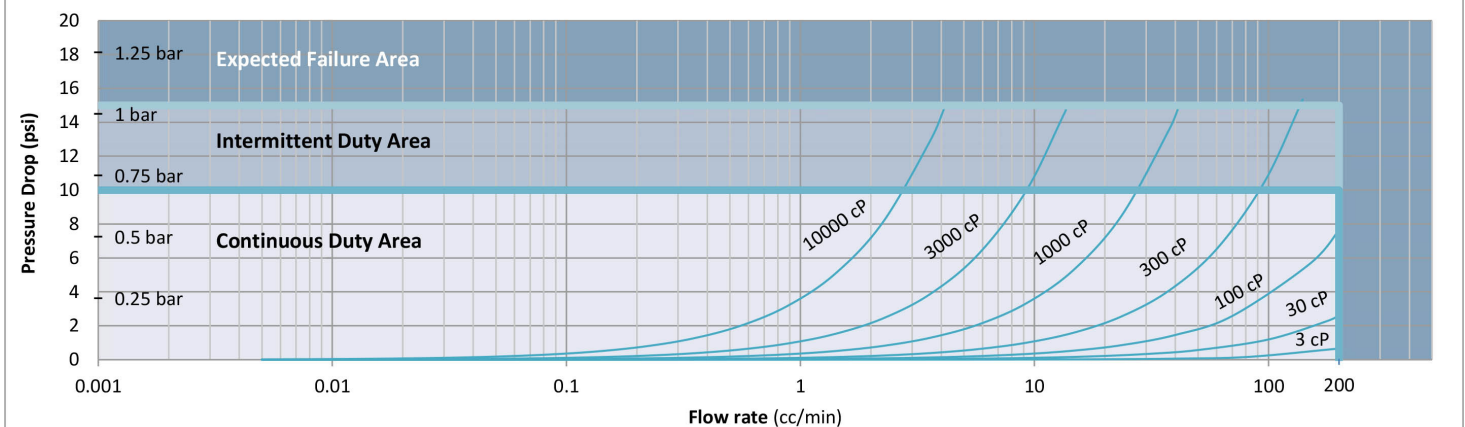
Model P001 meter with industrial transmitter



Bottom View

mounting holes
1/4-20NC
(2) places

Typical Pressure Drop (Delta P versus flow rate for various viscosities)





Max Machinery, Inc.
an ISO 9001:2015 certified company

Positive Displacement Flow Meters

Piston Type, P-Series 250 psi (17 bar) rated

Flow Meter Selections

Model # LA /

Transmitter Selections

/ -

Non-Standard Options

Bi-Directional Cal: BID

1 Transmitter Type

Max Flow Range

0.2 Liters/Min P001

Pressure

250 psi (17 bar) LA

Fluid Connection

1/4" and 6mm Tube 3

Seal Selection

Viton® - FKM 1

Perfluoroelastomer - FFKM 5

Options

None NA

A
A
A
A
P
Q
P

Output Type

A 4-20mA Output - Powered by 24 Vdc
B 4-20mA Output - Powered by 12 Vdc
C 0-10 Volt Output - Powered by 24 Vdc
D 0-10 Volt Output - Powered by 12 Vdc
N 5V Pulse/Freq. - Powered by 5-26 Vdc
N 5V Quadrature - Powered by 5-26 Vdc
S Current Sinking, Single Phase

Temperature Rating

1 90°C Industrial

Electrical Connection

1 Industrial, Turck® Connector

Signal Type

P Pulse
A Analog
Q Quadrature



Product includes single directional calibration, bi-directional calibrations for Analog and Quadrature devices are optional.