

Model 215 Piston Flow Meter (Frequency) 25 cc/min to 35 liters/min

SPECIFICATIONS

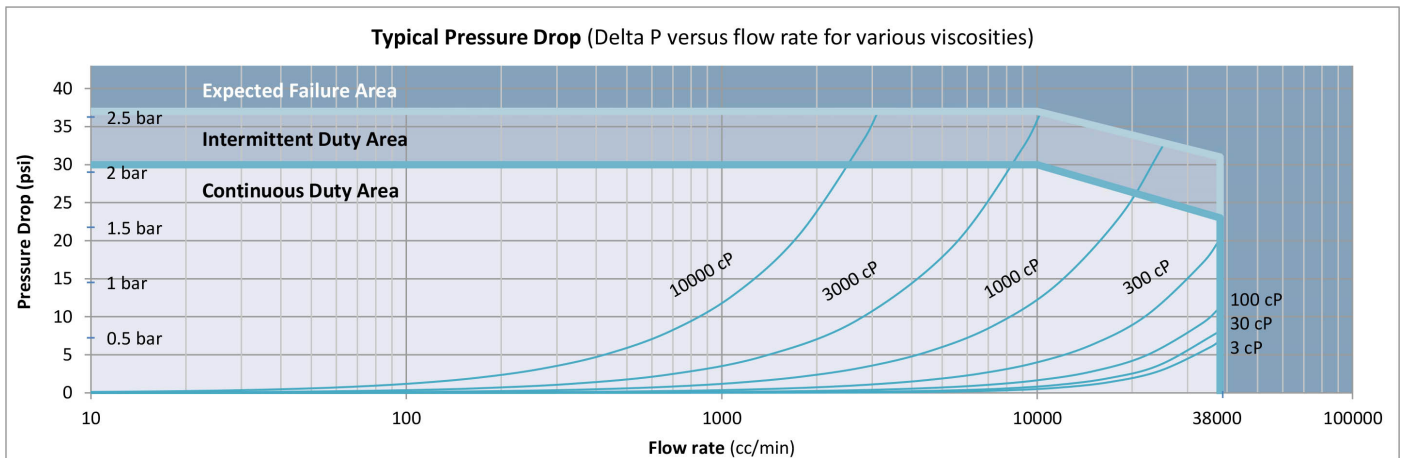
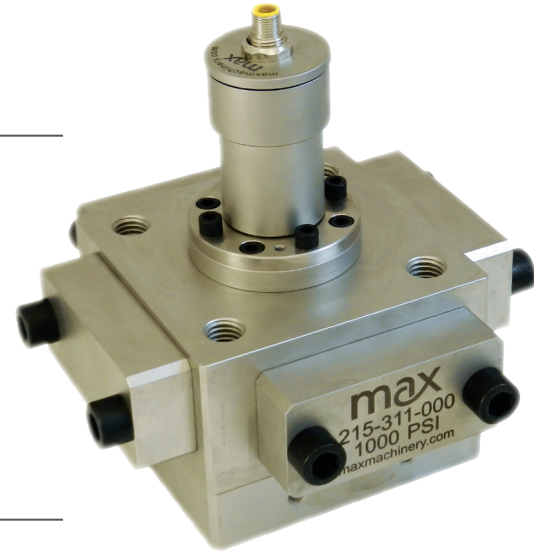
Flow Range	25 cc/min to 35 liters/min
Accuracy (at 3 cP)	± 0.2% of reading over a 200:1 range
Maximum Operating Pressure	70 bar or 210 bar (1000 or 3000 psi)
Displacement	47.6 cc/rev
Weight	10.4 kg
Recommended Filtration	10 micron
Port Size(s)	1/2" NPT or #8 SAE
Fluids	Most non aqueous, organic liquids

MATERIALS OF CONSTRUCTION

Body	Stainless steel, type 303
Pistons	Nitride hardened stainless steel, type 303
Crankshaft	Stainless steel
Bearings	All ball bearings, 440C stainless steel
O Rings	Viton®- standard, Teflon® or Perfluoroelastomer - optional

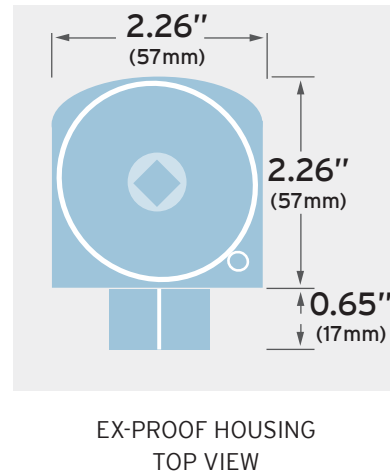
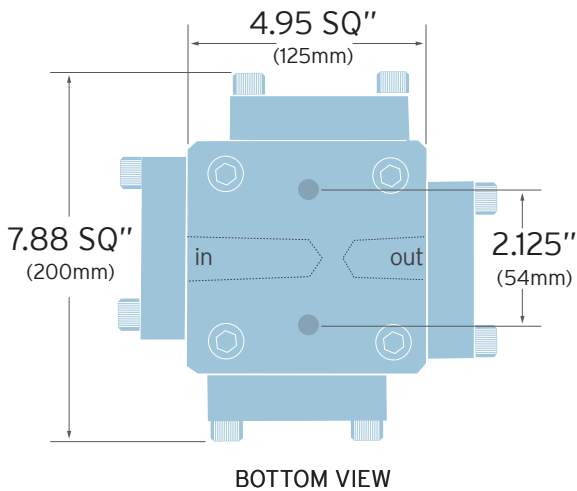
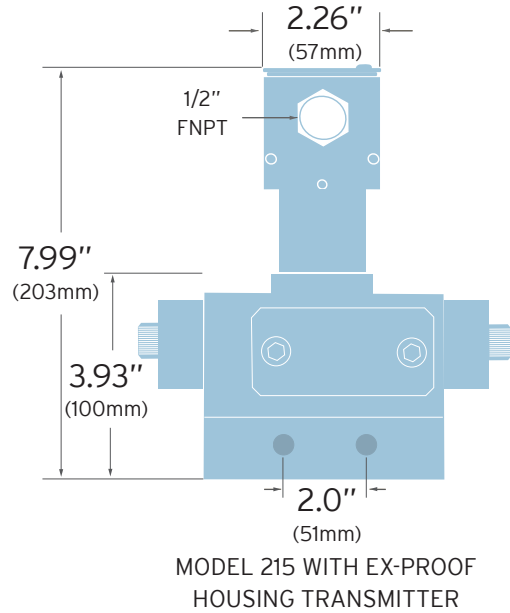
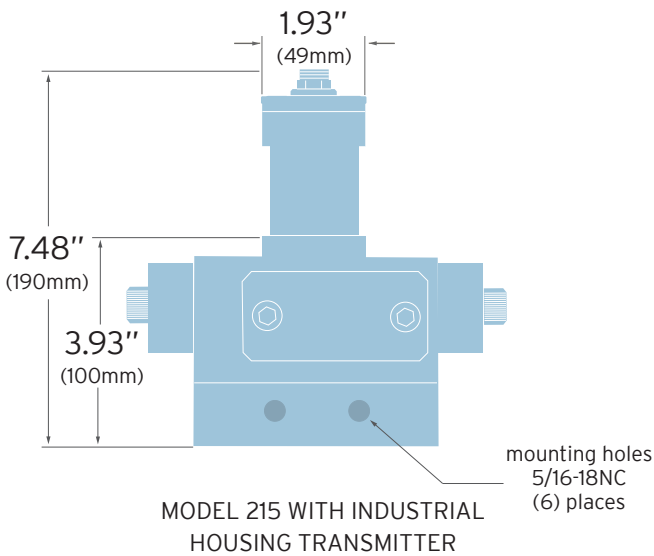
FREQUENCY TRANSMITTER

Output Signal	5 Vdc square wave – Current Sinking, 20mA max.- optional
Output Resolution	Selectable: 1 - 1000 pulses/rev
Optional	Quadrature square wave, 1 - 500 pulses/revolution/channel
Power Supply Requirements	5-26 Vdc @ 30ma
Ambient Operational Range	-40°C to 80°C, Single piece – Two piece to 110°C
Metered Liquid Temp Range (based on 20° ambient)	-40°C to 90°C, Standard model -40°C to 225°C, Two piece high temperature model
Compliance	CE Certified, Ex-proof version available with ATEX/IECEx II 2 G Ex d IIB Tx Gb as well as UL, cUL certification for Class 1, Division 1, Groups C and D, Tx



Model 215 Flow Meter (Frequency)

CONNECTIVITY/DIMENSIONS (Not to scale)



ELECTRICAL CONNECTION – FREQUENCY TRANSMITTERS

	Turck® Connector		
	Pin #	Mating Cable Wire Color	NPT model
Case Ground	3	Blue	Case
Common	4	Black	Com
Power (+5-26 Vdc)	1	Brown	V+
Single Phase:			
Pulse Output	2	White	Ph A
N/A	5	Grey	NC
Quadrature:			
Output Phase A	2	White	Ph A
Output Phase B	5	Grey	Ph B

