

Model 214 Piston Flow Meter (Frequency) 5 cc/min to 10,000 cc/min

SPECIFICATIONS

Flow Range	5 cc/min to 10,000 cc/min
Accuracy (at 3 cP)	± 0.2% of reading over a 200:1 range
Maximum Operating Pressure	70 bar or 210 bar (1000 or 3000 psi)
Displacement	10.5 cc/rev
Weight	3.7 kg
Recommended Filtration	10 micron
Port Size(s)	3/8" NPT, #6 SAE or manifold mount
Fluids	Most non aqueous, organic liquids

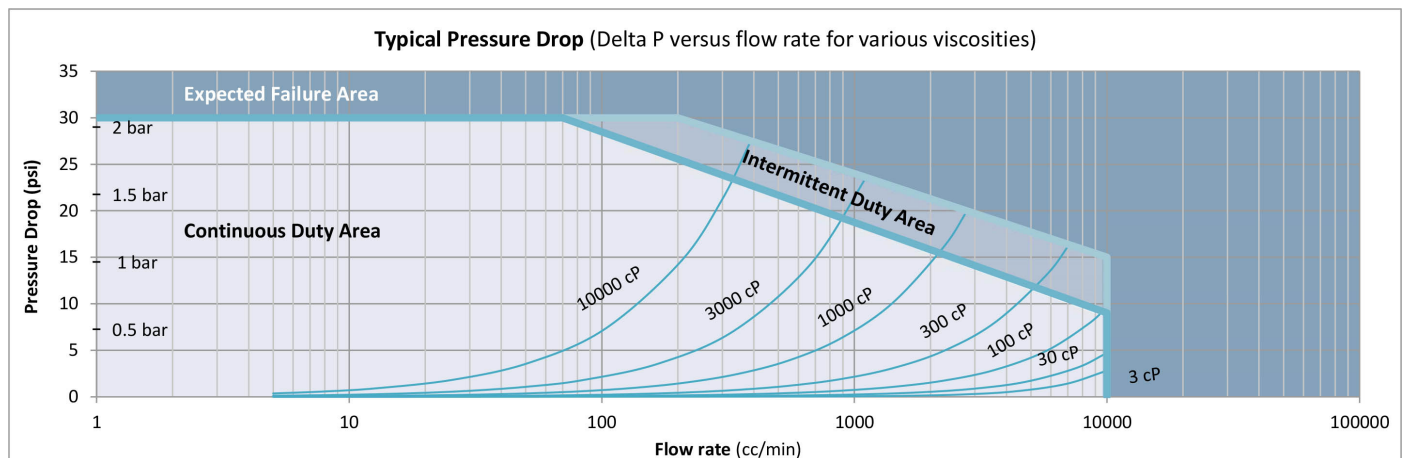
MATERIALS OF CONSTRUCTION

Body	Stainless steel, type 303
Pistons	Nitride hardened stainless steel, type 303
Crankshaft	Stainless steel
Bearings	All ball bearings, 440C stainless steel
O Rings	Viton®- standard • Teflon®, Perfluoro elastomer



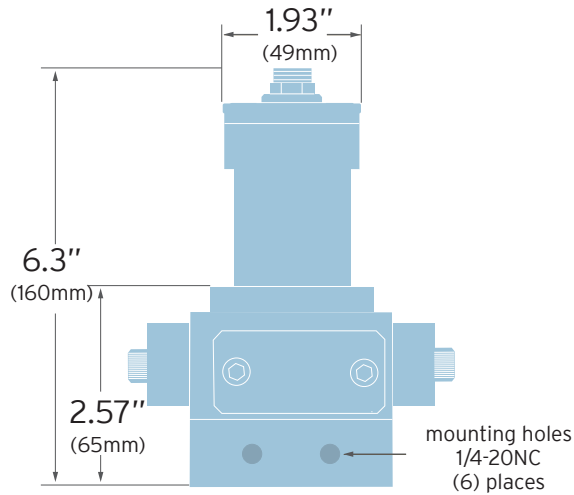
FREQUENCY TRANSMITTER

Output Signal	5 Vdc square wave – Current Sinking, 20mA max.- optional
Output Resolution	Selectable: 1 - 1000 pulses/rev
Optional	Quadrature square wave, 1 - 500 pulses/revolution/channel
Power Supply Requirements	5-26 Vdc @ 30ma
Ambient Operational Range	-40°C to 80°C, Single piece – Two piece to 110°C
Metered Liquid Temp Range (based on 20° ambient)	-40°C to 90°C, Standard model -40°C to 225°C, Two piece high temperature model
Compliance	CE Certified, Ex-proof version available with ATEX/IECEx II 2 G Ex d IIB Tx Gb as well as UL, cUL certification for Class 1, Division 1, Groups C and D, Tx

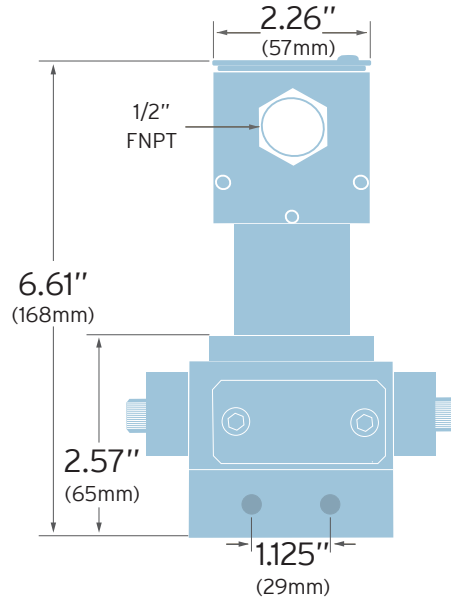


Model 214 Flow Meter (Frequency)

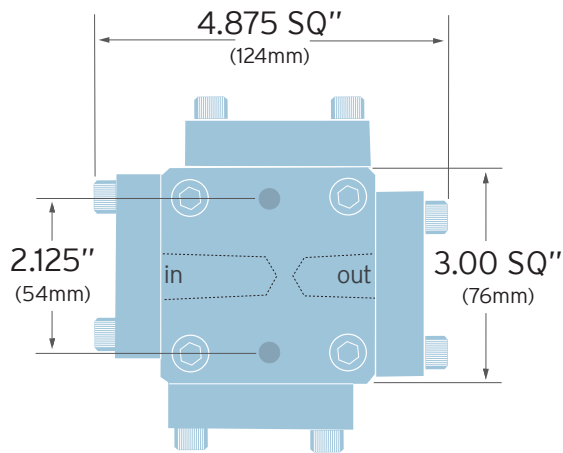
CONNECTIVITY/DIMENSIONS (Not to scale)



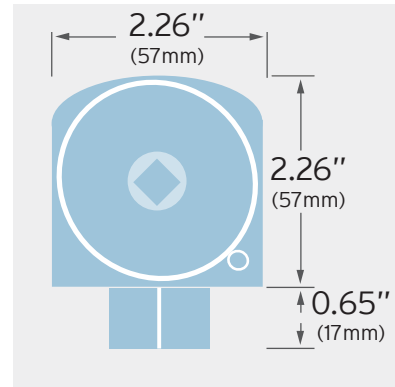
MODEL 214 WITH INDUSTRIAL HOUSING TRANSMITTER



MODEL 214 WITH EX-PROOF HOUSING TRANSMITTER

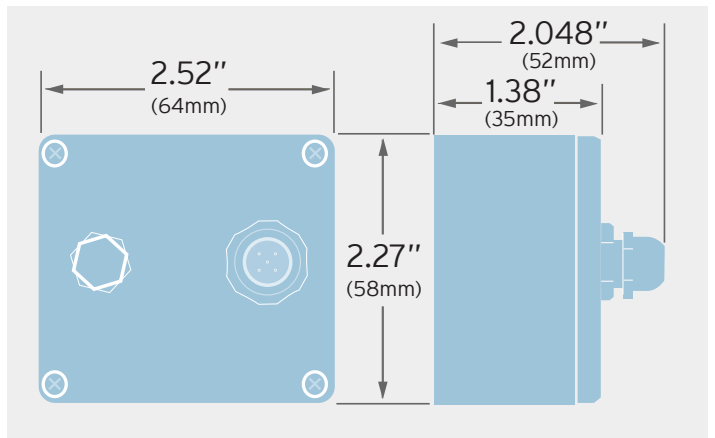


ELECTRICAL CONNECTION - FREQUENCY TRANSMITTERS



EX-PROOF HOUSING TOP VIEW

		Turck® Connector	
		Pin #	Mating Cable Wire Color
Case Ground	3	Blue	Case
Common	4	Black	Com
Power (+5-26 Vdc)	1	Brown	V+
Single Phase:			
Pulse Output	2	White	Ph A
N/A	5	Grey	NC
Quadrature:			
Output Phase A	2	White	Ph A
Output Phase B	5	Grey	Ph B



REMOTE PCA ENCLOSURE FOR HIGH TEMPERATURE TRANSMITTERS