

## Model 214 Piston Flow Meter (Analog)

### 5 cc/min to 10,000 cc/min

#### SPECIFICATIONS

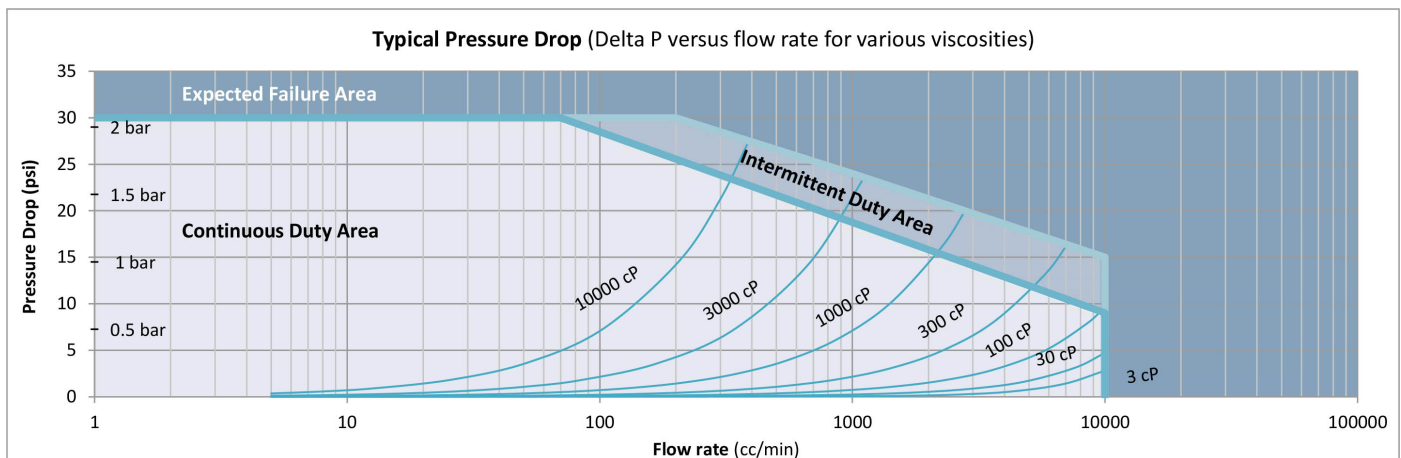
Flow Range	5 cc/min to 10,000 cc/min
Accuracy (at 3 cP)	± 0.2% of reading over a 200:1 range, or ± 2mV (or 4µA), whichever is greater
Maximum Operating Pressure	70 bar or 210 bar (1000 or 3000 psi)
Displacement	10.5 cc/rev
Weight	3.7 kg
Recommended Filtration	10 micron
Port Size(s)	3/8" NPT, #6 SAE or manifold mount
Fluids	Most non aqueous, hydrocarbon based fluids

#### MATERIALS OF CONSTRUCTION

Body	Stainless steel, type 303
Pistons	Nitride hardened stainless steel, type 303
Crankshaft	Stainless steel
Bearings	All ball bearings, 440C stainless steel
O Rings	Viton®- standard • Teflon®, Perfluoro elastomer

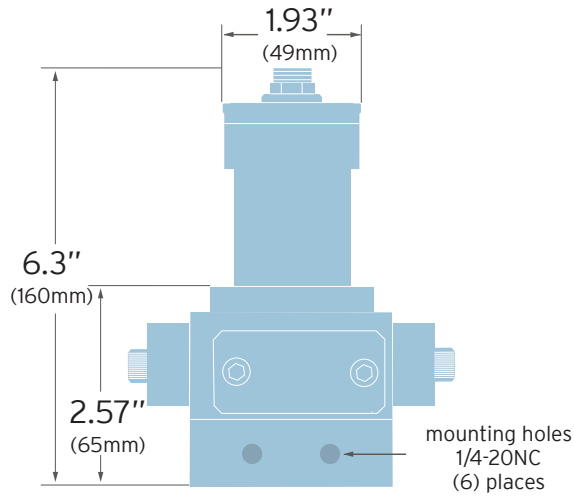
#### ANALOG TRANSMITTER

Output Signal	Any range of ± 10V or ± 20mA Linearized and damped with anti-dither protection
Power Supply Requirements	Two Models: 12Vdc @ 90 mA, 24Vdc @ 45 mA
Ambient Operational Range	-40°C to 80°C, Single piece – Two piece to 110°C
Metered Liquid Temp Range (based on 20° ambient)	-40°C to 90°C, Standard model -40°C to 225°C, Two piece high temperature model
Compliance	CE Certified, Ex-proof version available with ATEX/IECEx II 2 G Ex d IIB Tx Gb as well as UL, cUL certification for Class 1, Division 1, Groups C and D, Tx

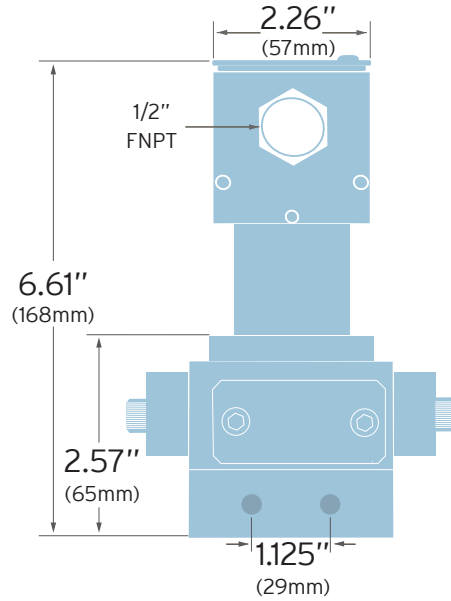


# Model 214 Flow Meter (Analog)

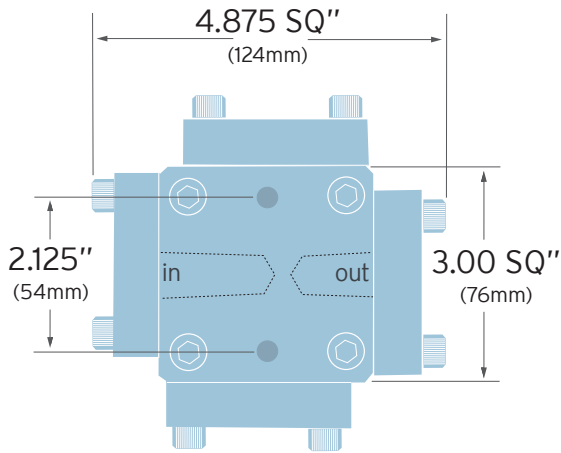
CONNECTIVITY/DIMENSIONS (Not to scale)



MODEL 214 WITH INDUSTRIAL HOUSING TRANSMITTER



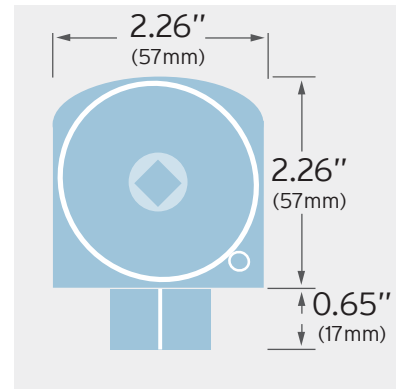
MODEL 214 WITH EX-PROOF HOUSING TRANSMITTER



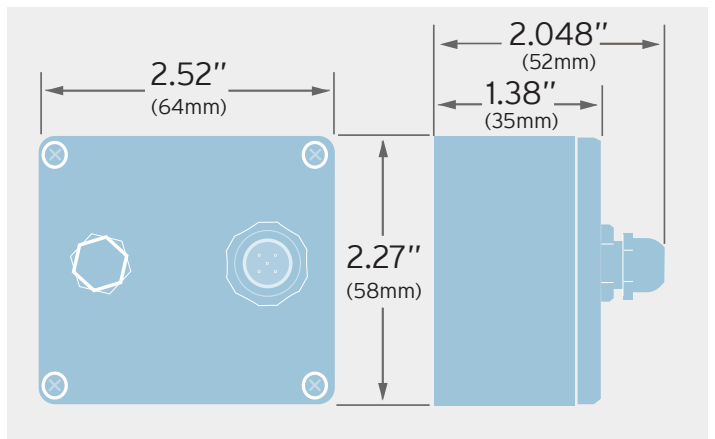
ELECTRICAL CONNECTION – ANALOG TRANSMITTERS

	Turck® Connector		
	Pin #	Mating Cable Wire Color	NPT model
Case Ground	3	Blue	Case
Common	4	Black	Com
Power *	1	Brown	V+
Signal Output (+)	5	Grey	Sig
Signal Output (-)	2	White	Ret

\* Please specify 12Vdc or 24Vdc operation



EX-PROOF HOUSING TOP VIEW



REMOTE PCA ENCLOSURE FOR HIGH TEMPERATURE TRANSMITTERS